

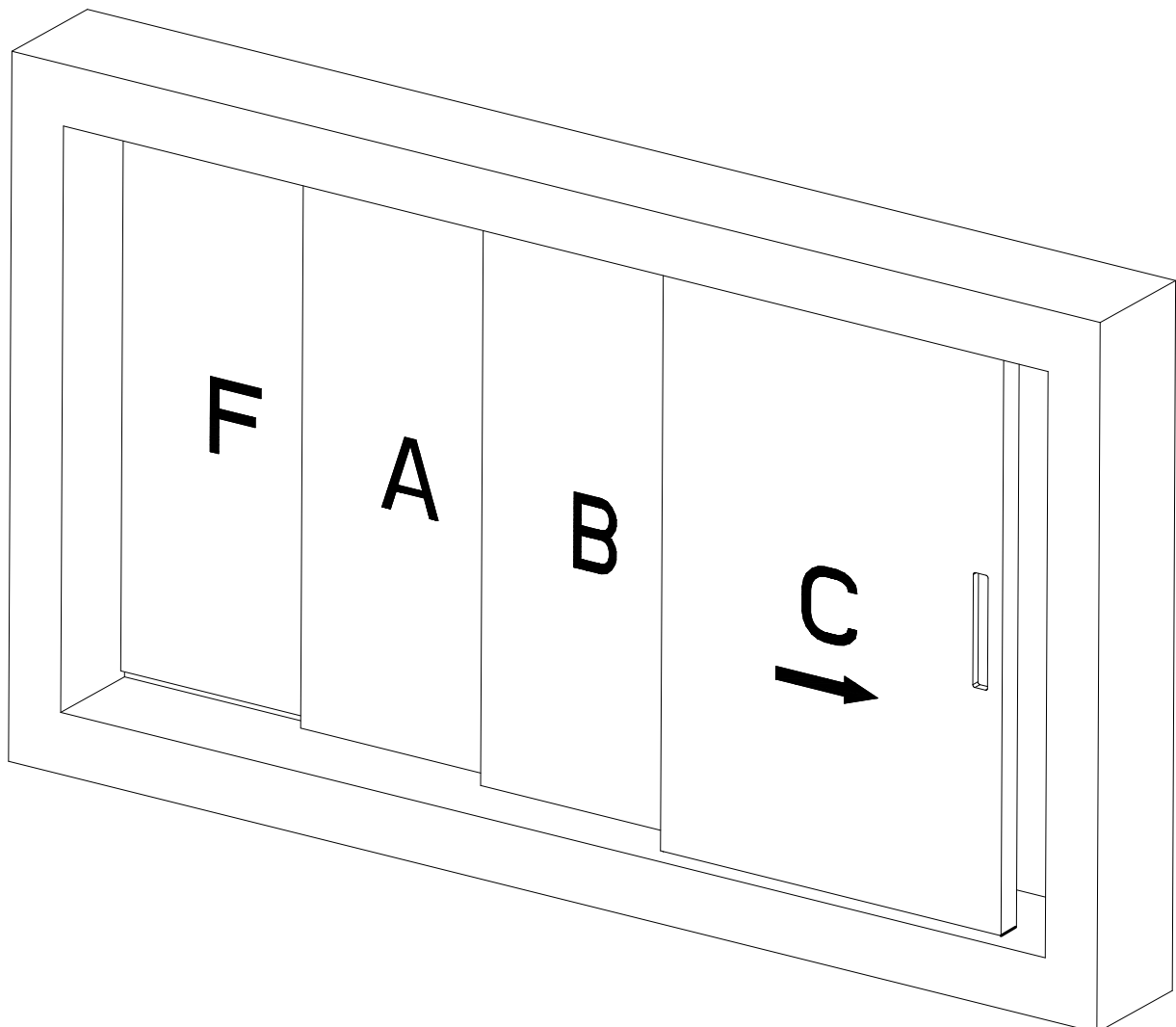
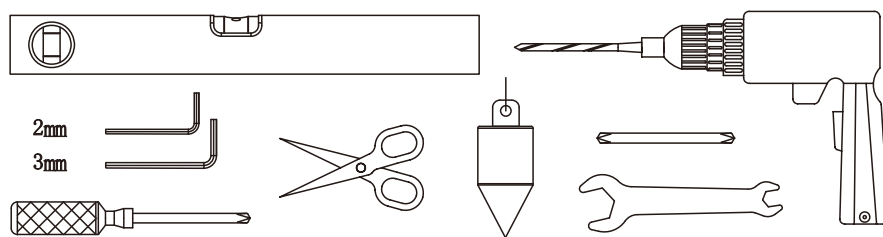
Telescopic Sliding Frameless Glass 3 Door System Installation Instructions

Installation Instructions

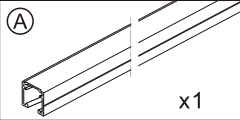
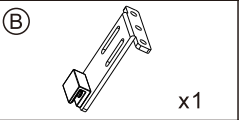
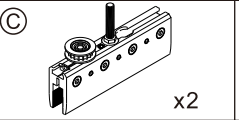
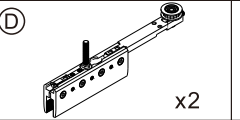
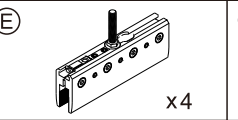
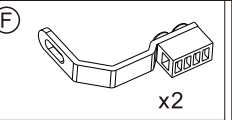
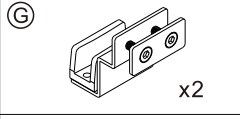
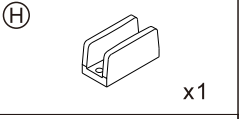
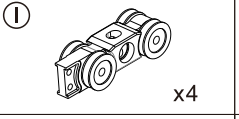
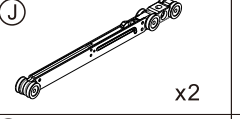
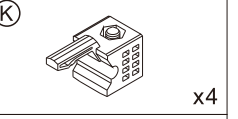
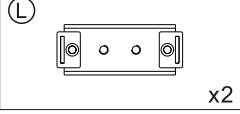
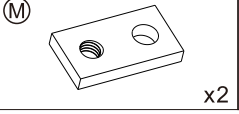
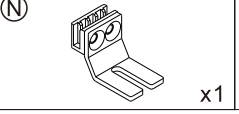
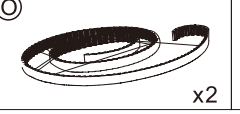

Notice:

1. This system can not be installed in all hidden slot, must have enough space to install.
2. The rail must be installed on steel girders or reinforced concrete in enough strong.
3. Please clean the inside of rail without any foreign matter, then put roller hardware inside.
4. We suggest customer ask serviceman to inspect the sliding door if it is used frequently.

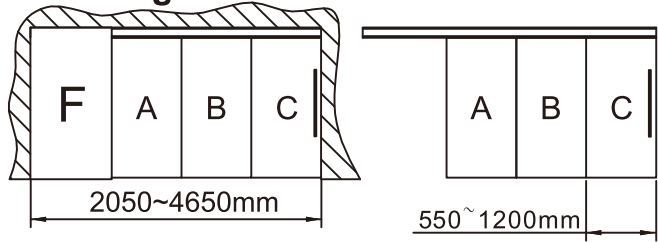
Installation Tools:



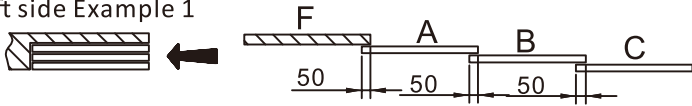
Accessories list

 x1	 x1	 x2	 x2	 x4	 x2
 x2	 x1	 x4	 x2	 x4	
 x2	 x2	 x1	 x2		

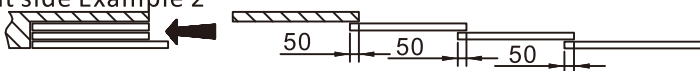
1. Left Linkage door



Left side Example 1

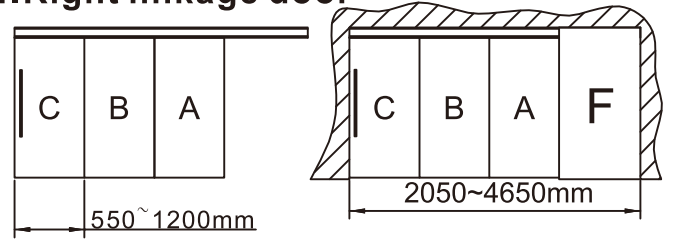


Left side Example 2

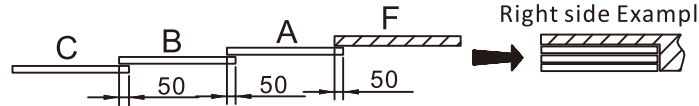


F = Fixed door
C = Mobile door

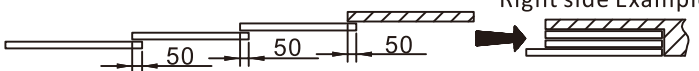
2. Right linkage door



Right side Example 1

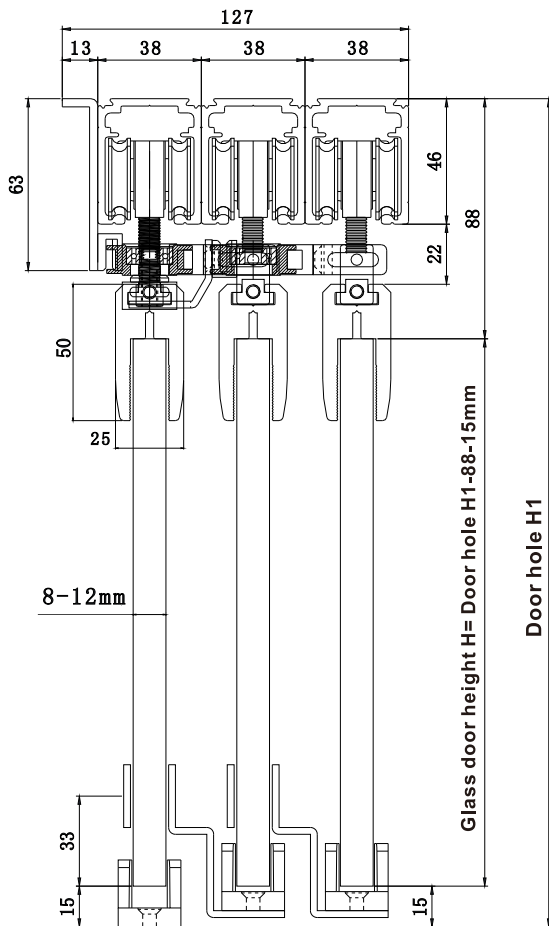


Right side Example 2

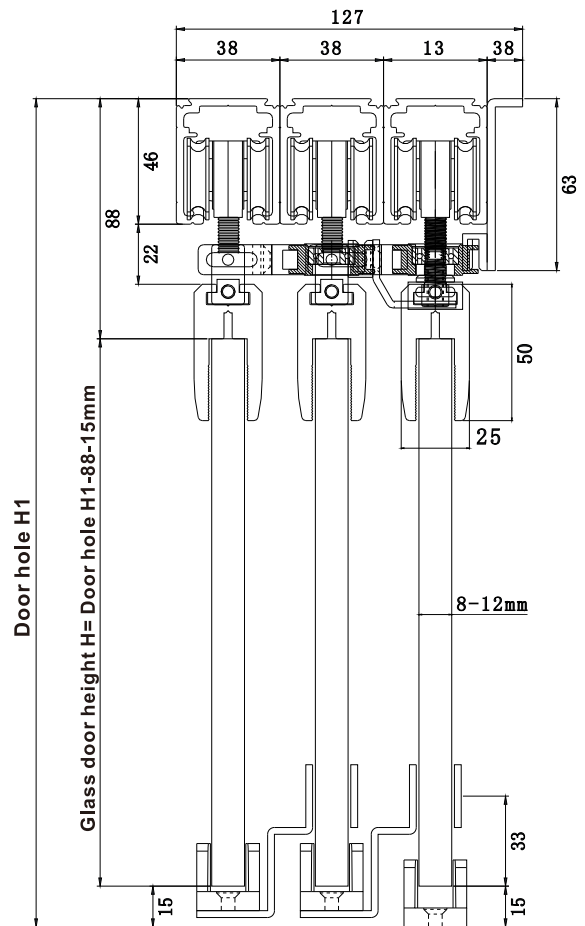


F = Fixed door
C = Mobile door

3. Left Linkage door diagram

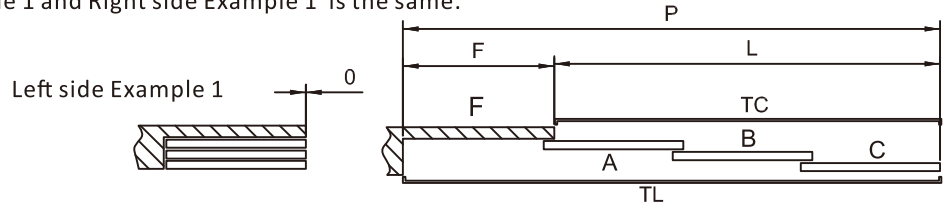


4. Right Linkage door diagram



5. Calculation formula of door's width

The calculation of Left side Example 1 and Right side Example 1 is the same.



$$L = \frac{(P \times 3) - 150}{4}$$

$$C = (L/3) + 50$$

$$B = (L/3) + 50$$

$$A = (L/3) + 50$$

$$F = (L/3) + 60$$

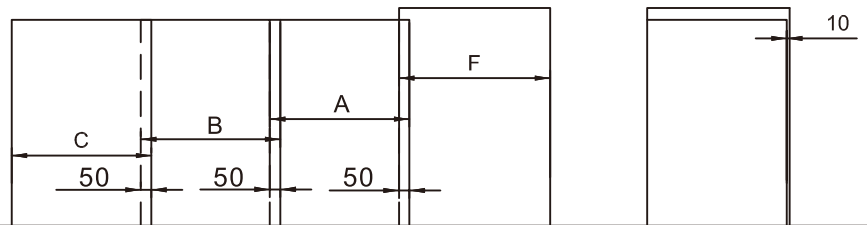
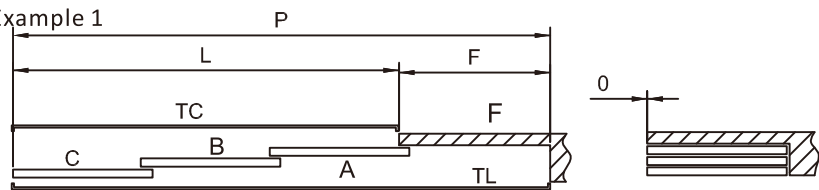
$$P = L + F$$

$$TC = L$$

$$TL = P$$

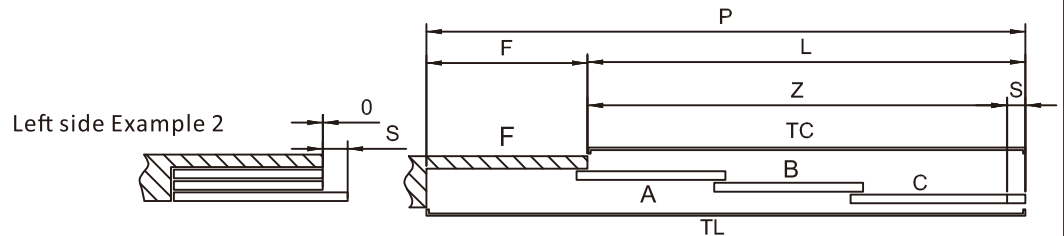
$$\text{Door height } H = \text{Door hole} - 103\text{mm}$$

Right side Example 1



6. Calculation formula of door's width

The calculation of Left side Example 2 and Right side Example 2 is the same.



$$L = \frac{(P \times 3) + S - 150}{4}$$

$$Z = L - S$$

$$C = (Z/3) + S + 50$$

$$B = (Z/3) + 50$$

$$A = (Z/3) + 50$$

$$F = (Z/3) + 60$$

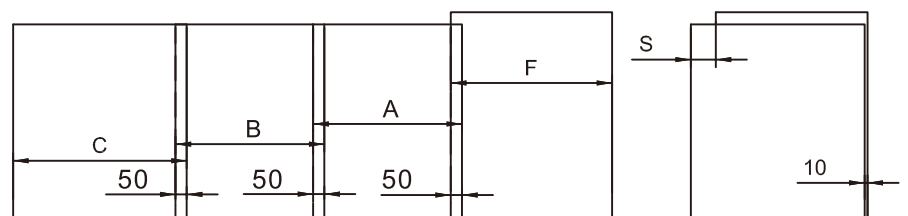
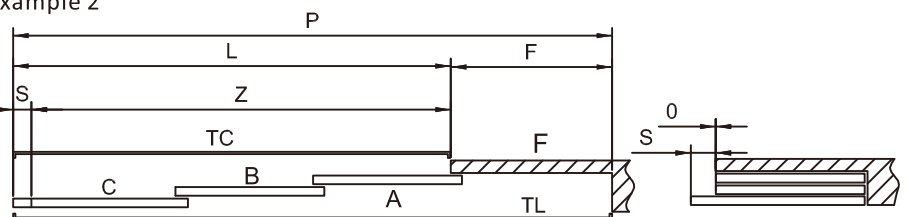
$$P = L + F$$

$$TC = L$$

$$TL = P$$

$$\text{Door height } H = \text{Door hole} - 103\text{mm}$$

Right side Example 2



5-1. Example of the door's dimensions calculation

-----The calculation of Left side example 1 and example 1 is the same.

$$L = \frac{(P \times 3) - 150}{4} \quad P = 3200 \text{mm}$$

$$L = \frac{(3200 \times 3) - 150}{4} = 2362.5 \Rightarrow 2363 \quad L = 2363 \text{mm}$$

$$C = (L/3) + 50$$

$$B = (L/3) + 50$$

$$A = (L/3) + 50$$

$$F = (L/3) + 60$$

$$C = (2363/3) + 50 = 837.6 \Rightarrow 838 \text{mm} \quad C = 838 \text{mm}$$

$$B = (2363/3) + 50 = 837.6 \Rightarrow 838 \text{mm} \quad B = 838 \text{mm}$$

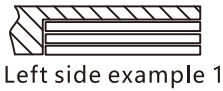
$$A = (2363/3) + 50 = 837.6 \Rightarrow 838 \text{mm} \quad A = 838 \text{mm}$$

$$F = (2363/3) + 60 = 847.6 \Rightarrow 848 \text{mm} \quad F = 848 \text{mm}$$

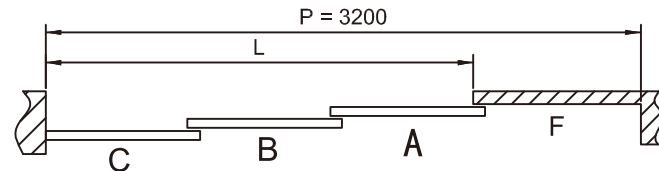
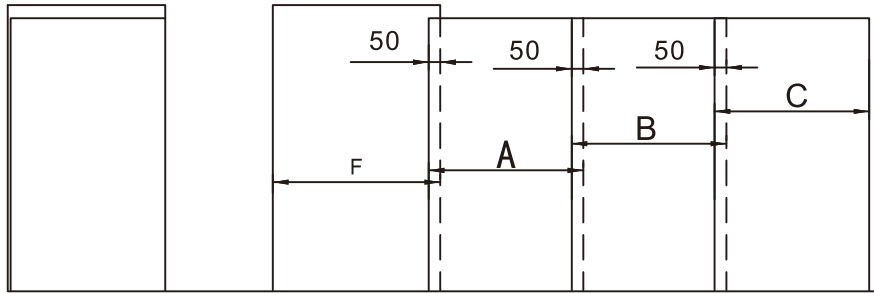
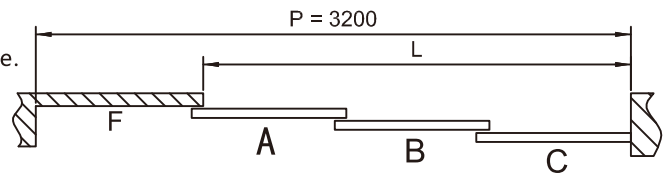
Door Hole Height= 2400mm

Door height= door hole-103mm

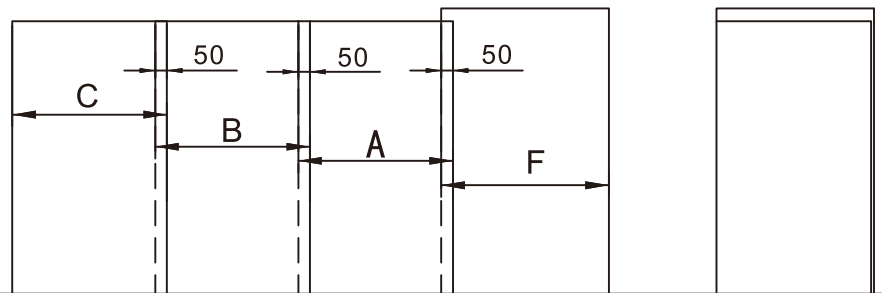
Door height= 2400-103mm= 2297mm



Left side example 1



Right side example 1



6-1 Example of the door's dimensions calculation

The calculation of Left side example 2 and Right side 2 is the same

$$L = \frac{(P \times 3) - 150}{4} \quad P = 3200 \text{mm}$$

$$L = \frac{(3200 \times 3) - 150}{4} = 2362.5 \Rightarrow 2363 \quad L = 2363 \text{mm}$$

$$C = (L/3) + 50$$

$$B = (L/3) + 50$$

$$A = (L/3) + 50$$

$$F = (L/3) + 60$$

$$C = (2363/3) + 50 = 837.6 \Rightarrow 838 \text{mm} \quad C = 838 \text{mm}$$

$$B = (2363/3) + 50 = 837.6 \Rightarrow 838 \text{mm} \quad B = 838 \text{mm}$$

$$A = (2363/3) + 50 = 837.6 \Rightarrow 838 \text{mm} \quad A = 838 \text{mm}$$

$$F = (2363/3) + 60 = 847.6 \Rightarrow 848 \text{mm} \quad F = 848 \text{mm}$$

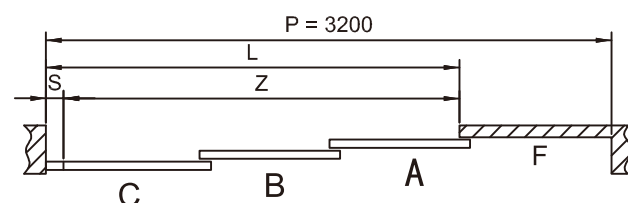
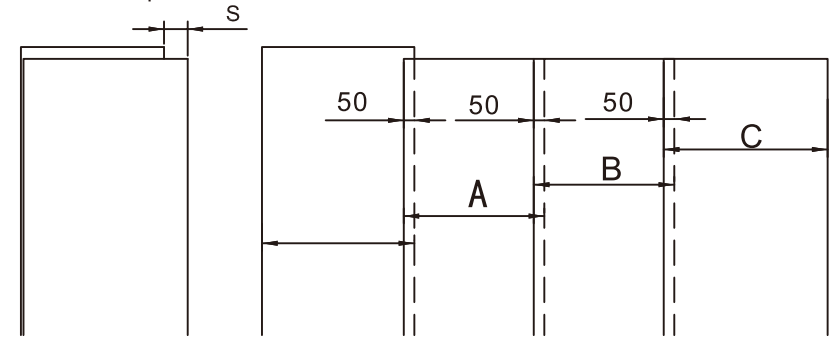
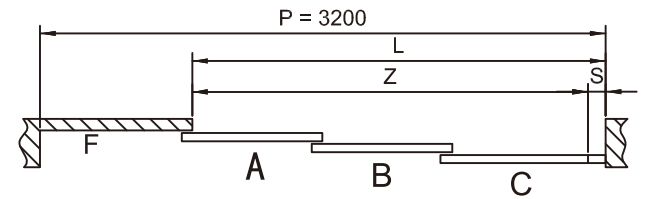
Door Hole Height= 2400mm

Door height= door hole-103mm

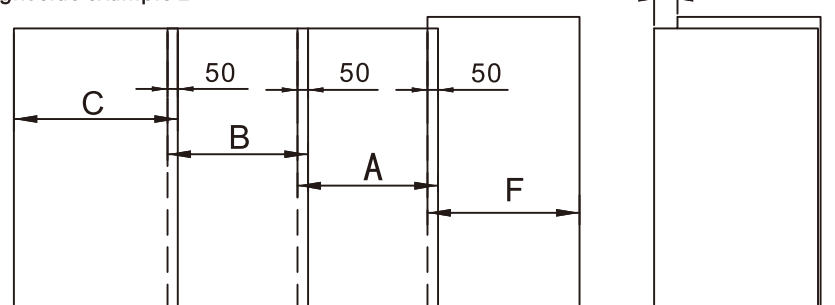
Door height= 2400-103mm= 2297mm



Left side example 2

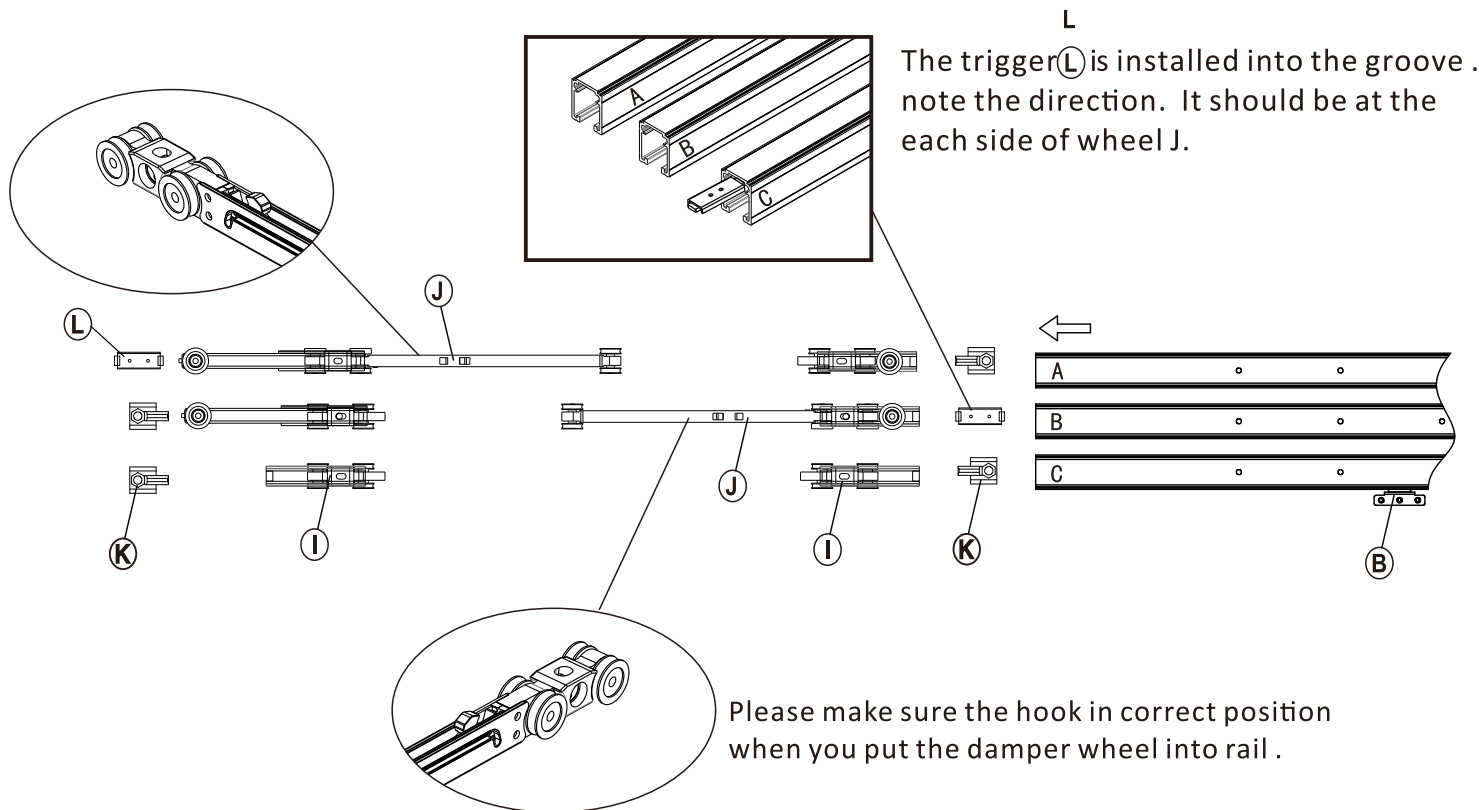
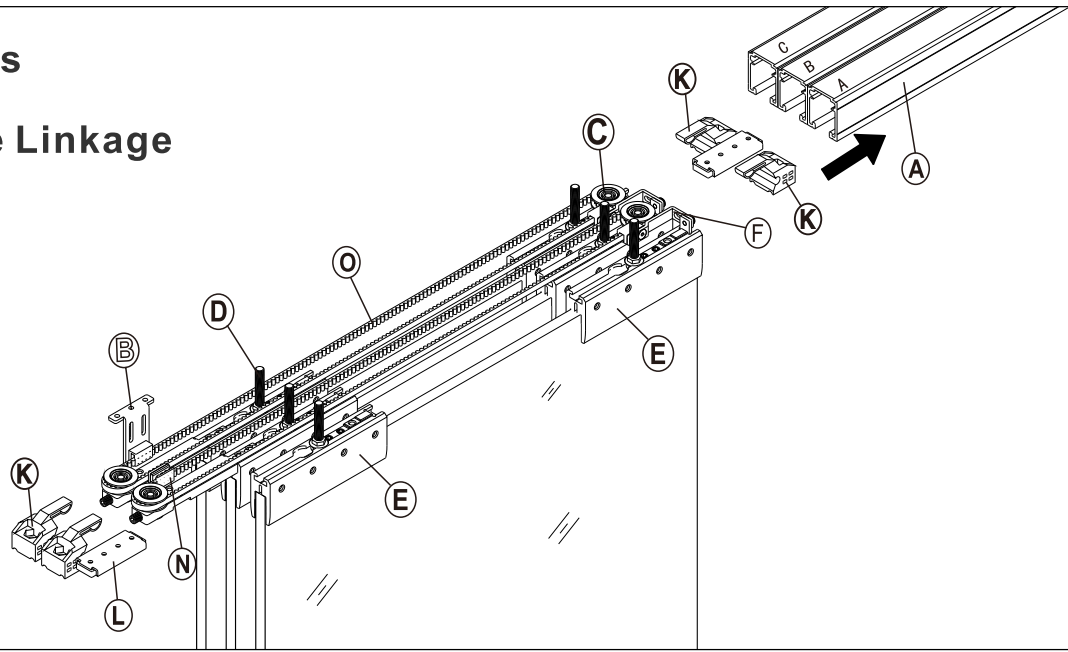


Right side example 2

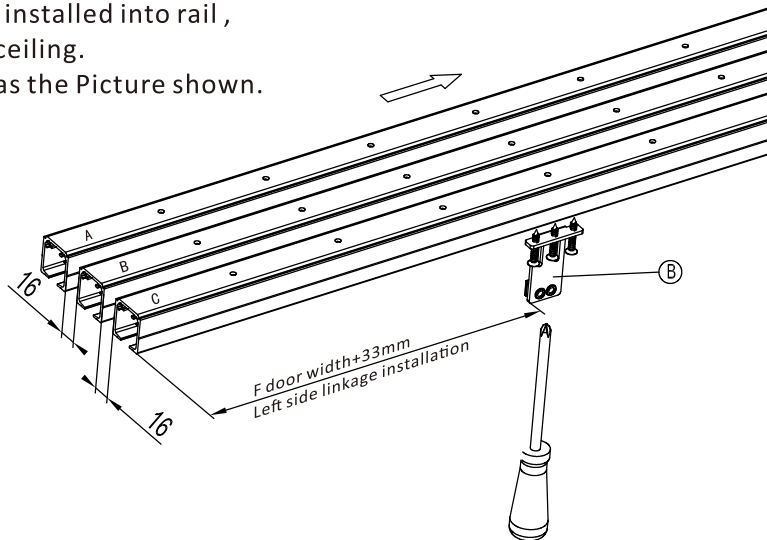


7. Accessories

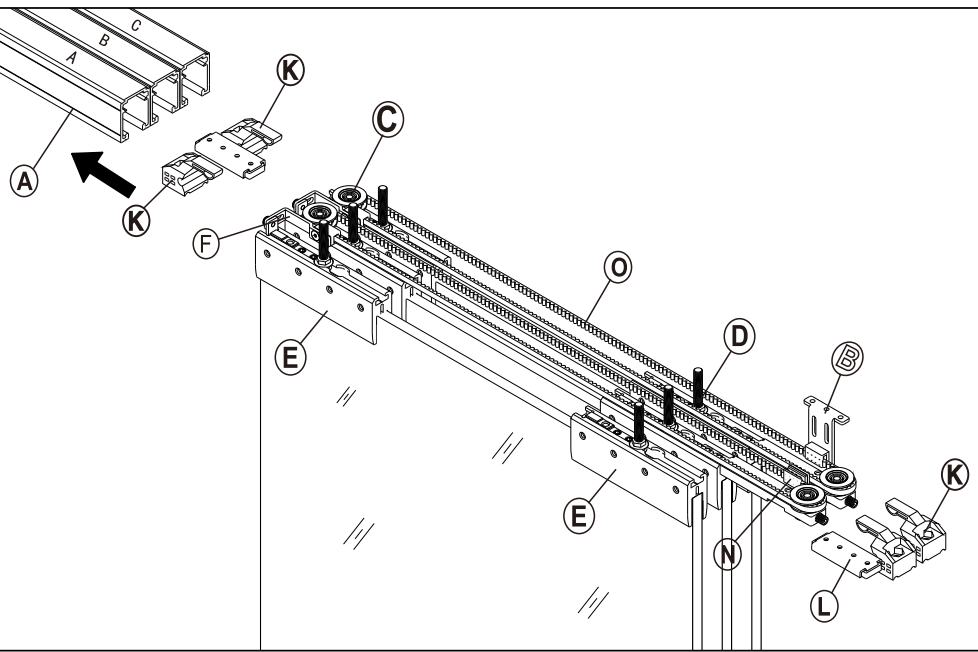
7-1 .Right side Linkage



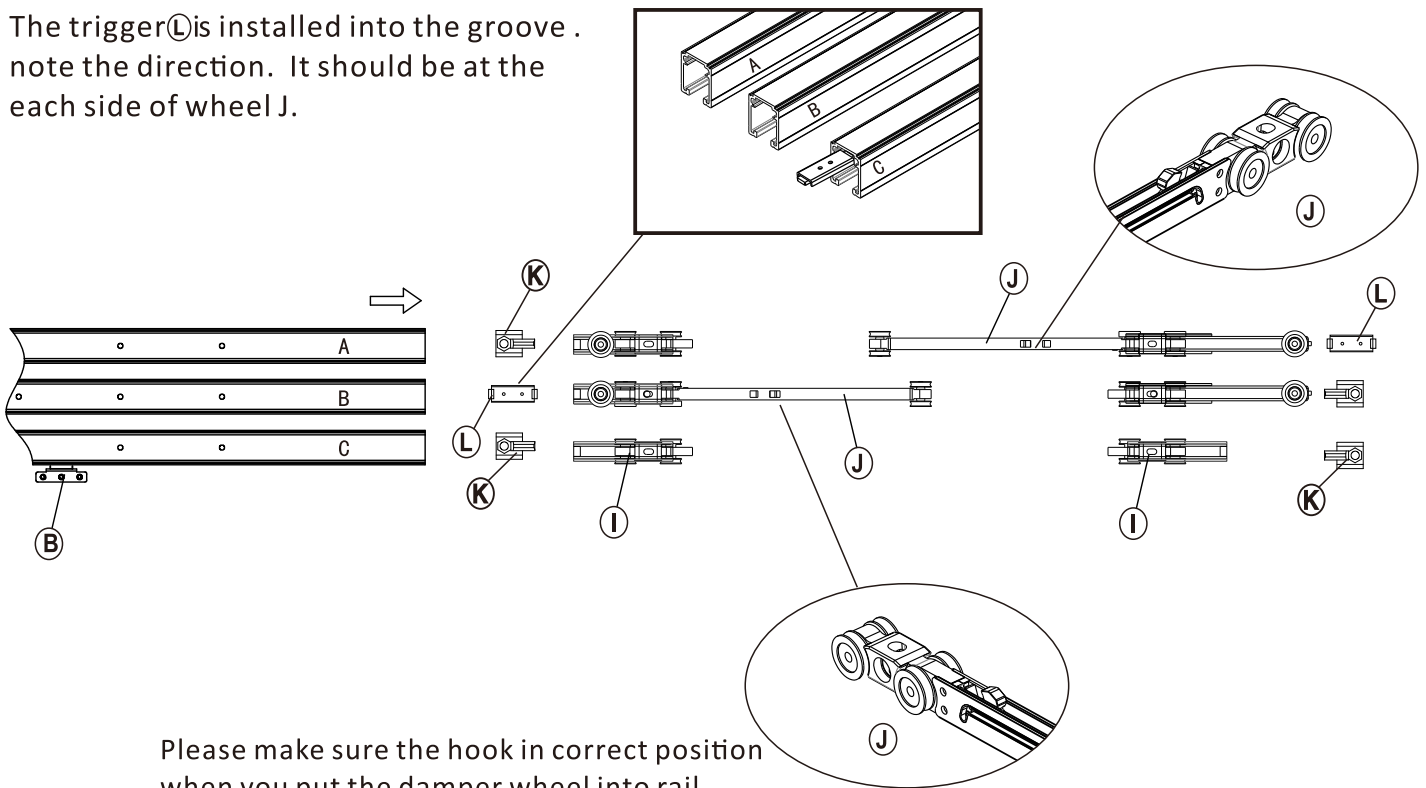
After the accessories are installed into rail ,
Please insatll the rail on ceiling.
Install the Fixing plate B as the Picture shown.



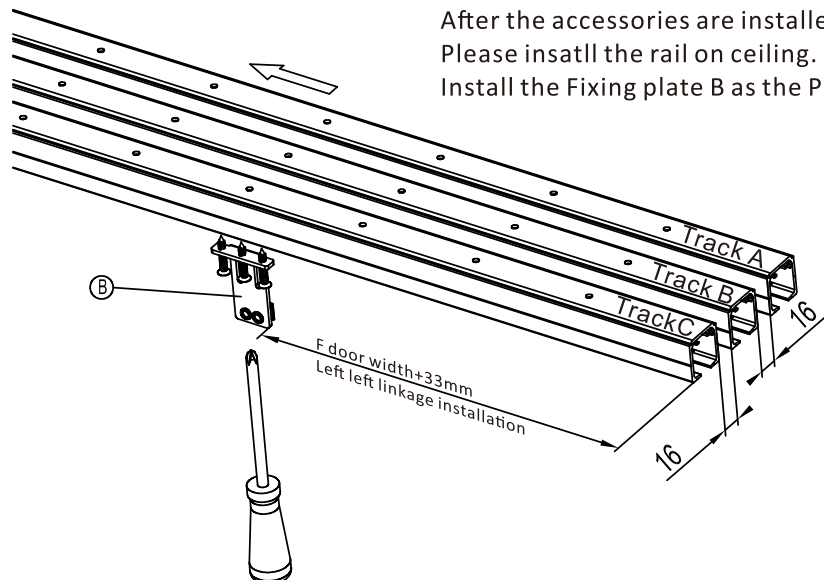
7-2. Left side linkage



The trigger **L** is installed into the groove. note the direction. It should be at the each side of wheel **J**.



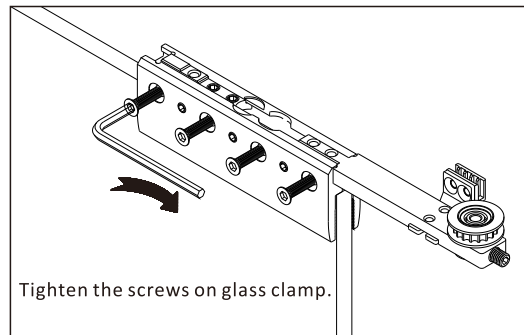
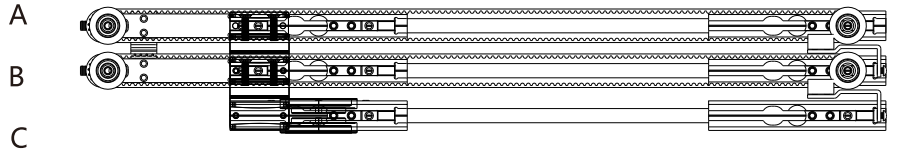
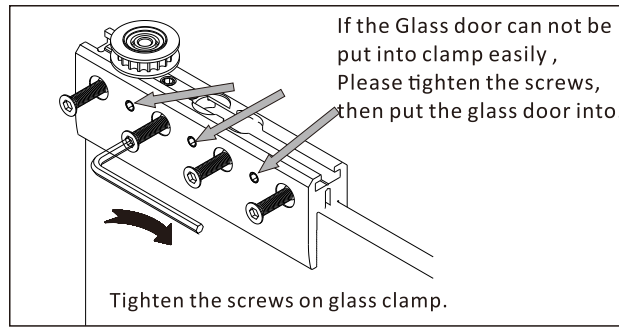
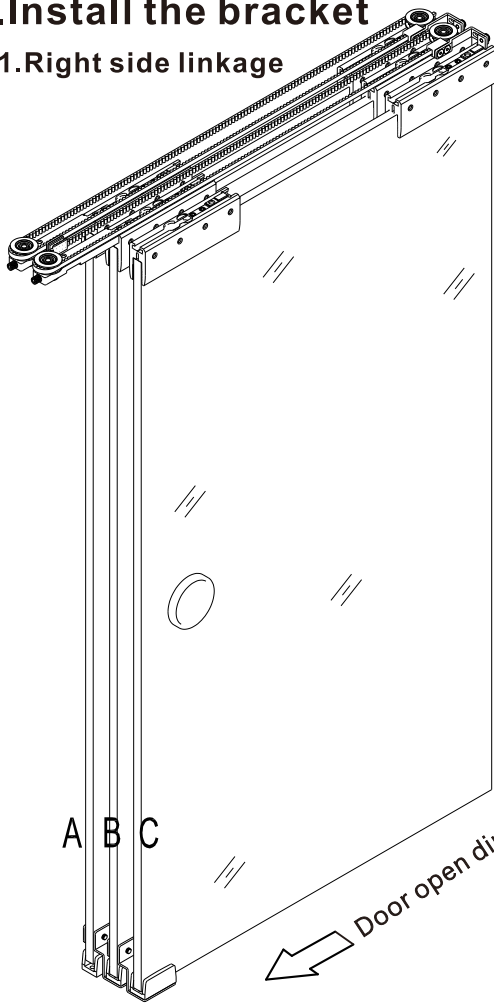
Please make sure the hook in correct position when you put the damper wheel into rail .



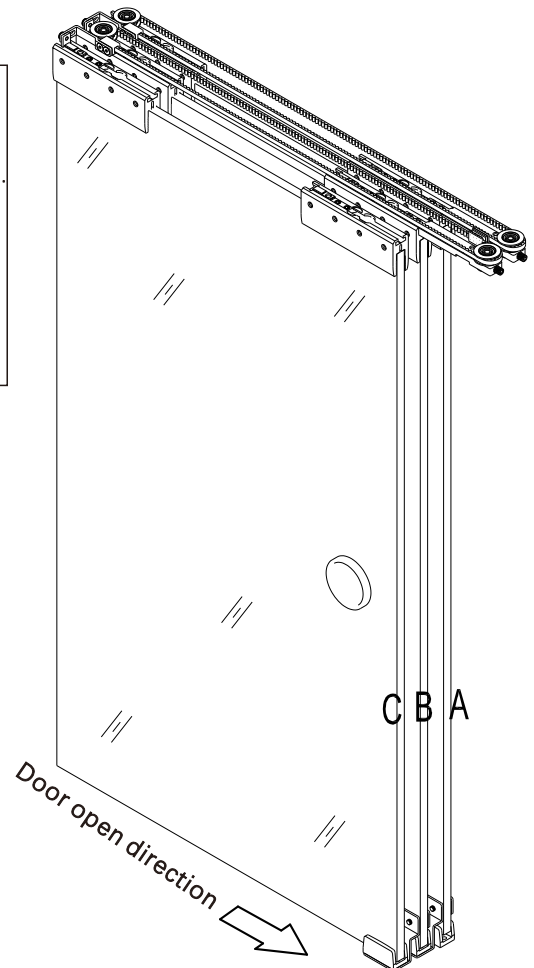
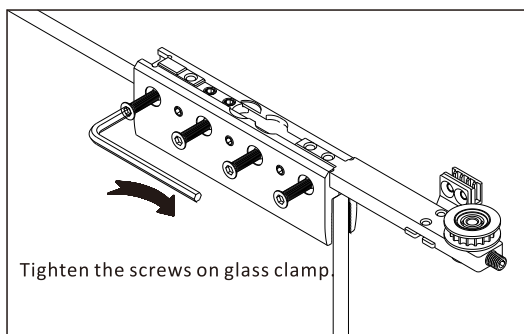
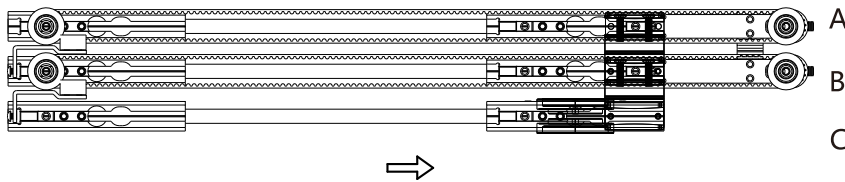
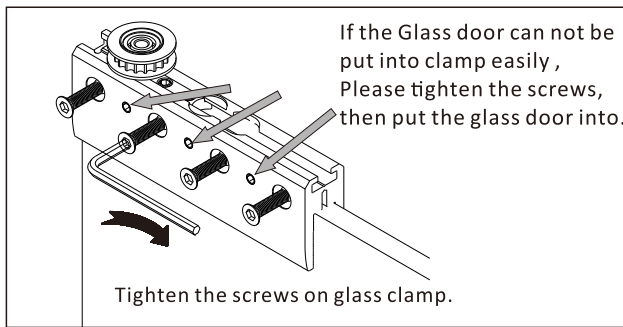
After the accessories are installed into rail ,
Please insatll the rail on ceiling.
Install the Fixing plate B as the Picture shown.

8.Install the bracket

8-1.Right side linkage

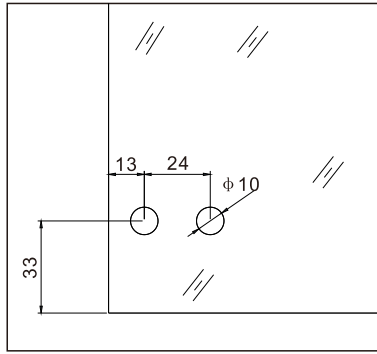


8-2.Left side linkage

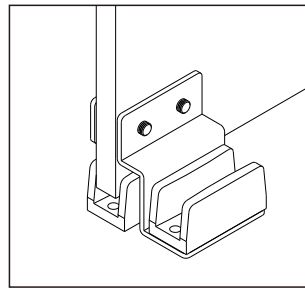


9-1 Right side linkage

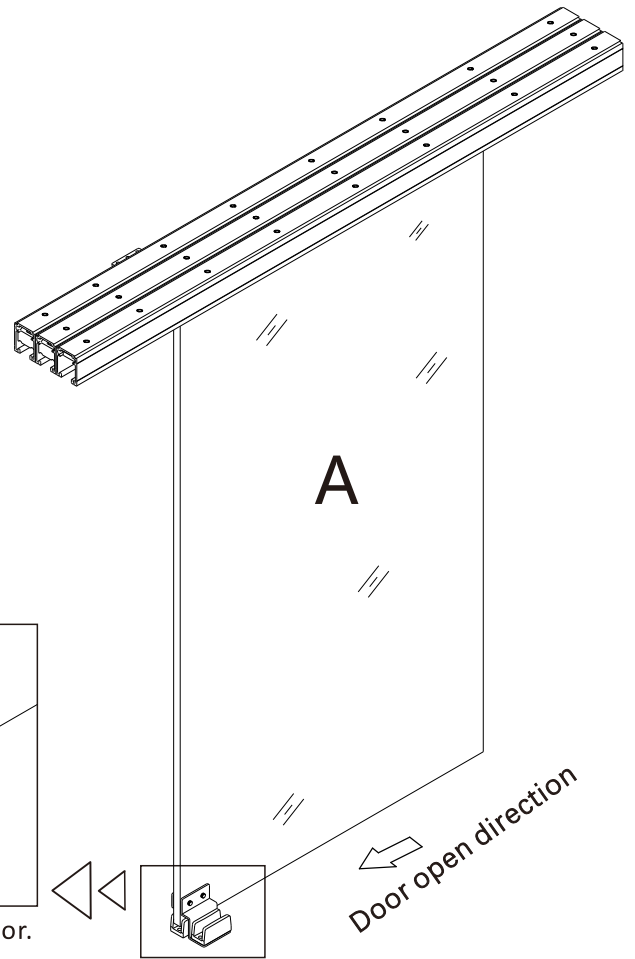
Before Install A door, Please install bottom guide G on the A door.



Glass door hole dimension

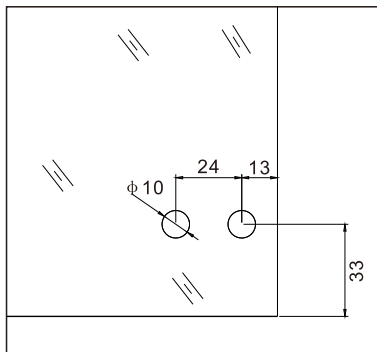


Install G on the A door.

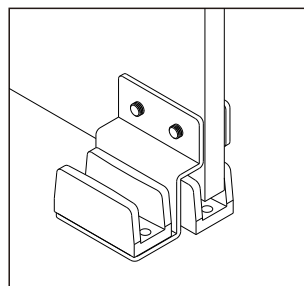


9-2. Left side linkage

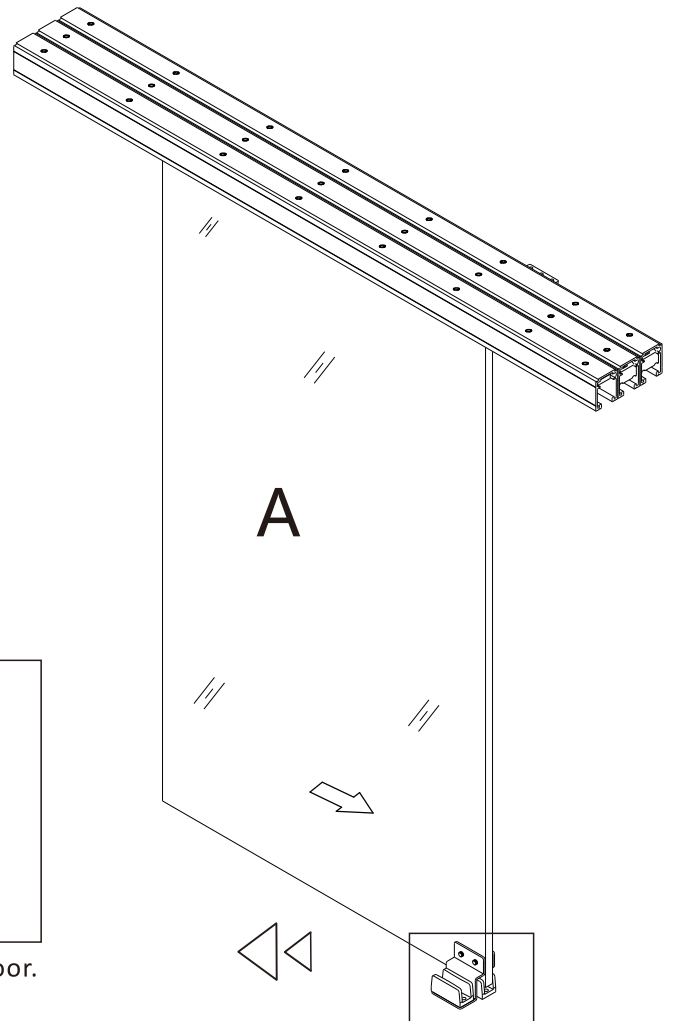
Before Install A door, Please install bottom guide G on the A door.



Glass door hole dimension



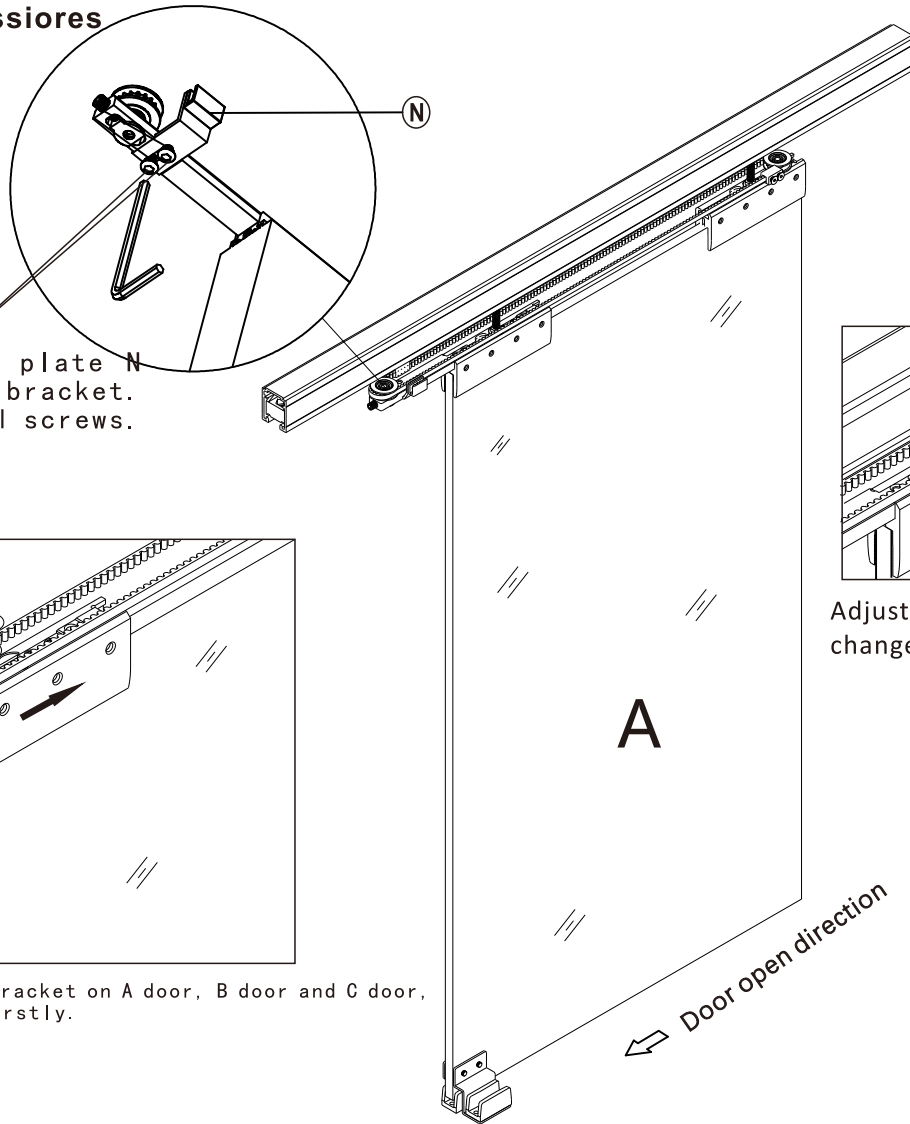
Install G on the A door.



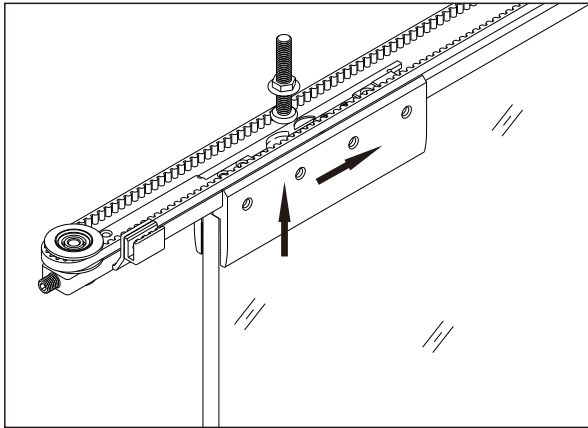
10. Install A door's accessories

10-1. Right side linkage

Install the fixing plate N on the guide wheel bracket. Use M5*12 hexagonal screws.



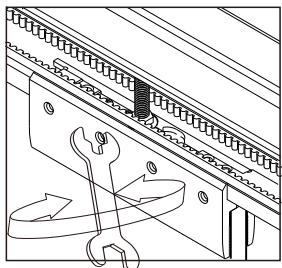
Adjust the screw's rod to change the door's height.



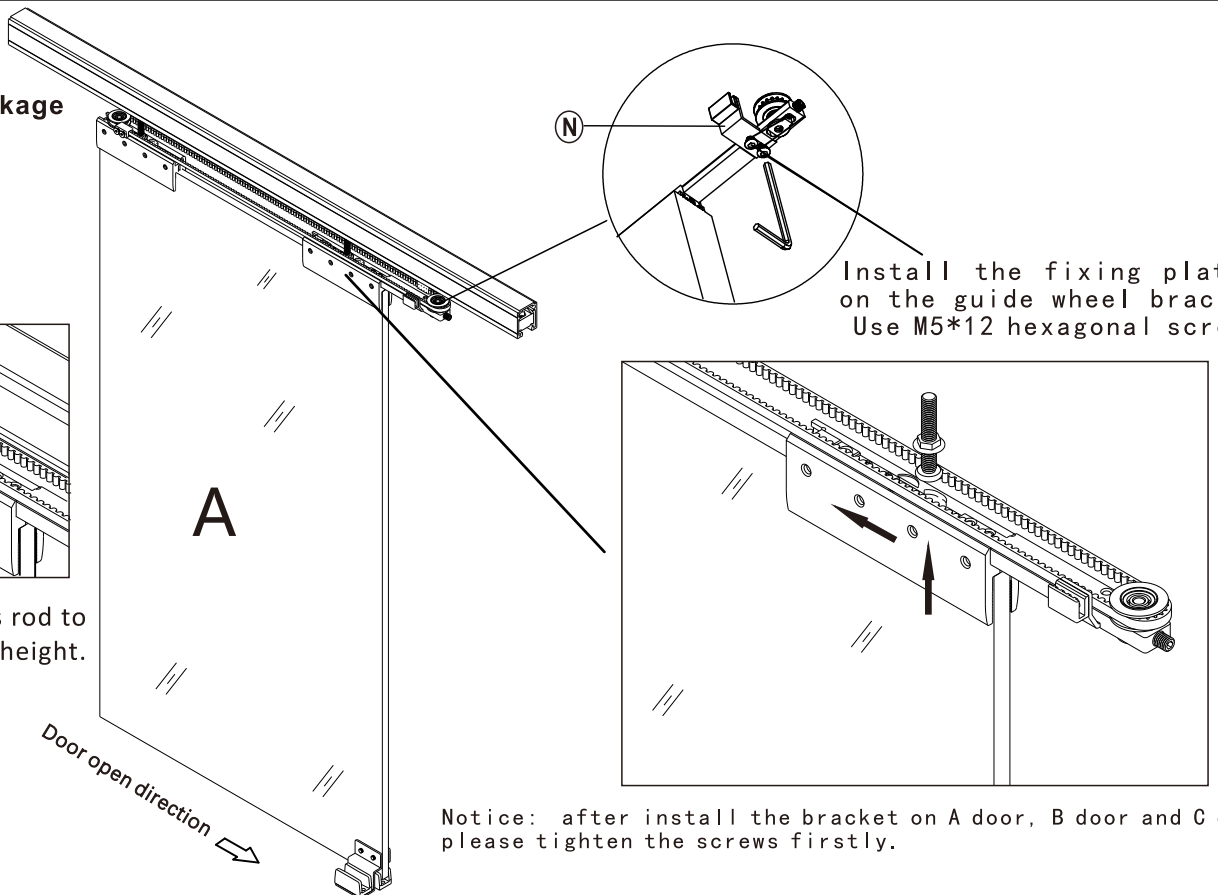
Notice: after install the bracket on A door, B door and C door, please tighten the screws firstly.

10-2. Left side linkage

Install the fixing plate N on the guide wheel bracket. Use M5*12 hexagonal screws.



Adjust the screw's rod to change the door's height.



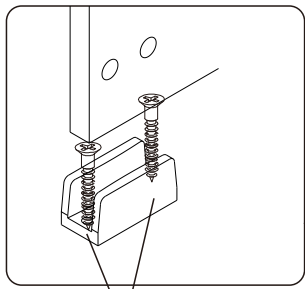
Notice: after install the bracket on A door, B door and C door, please tighten the screws firstly.

11 . Install Bottom guide on A door

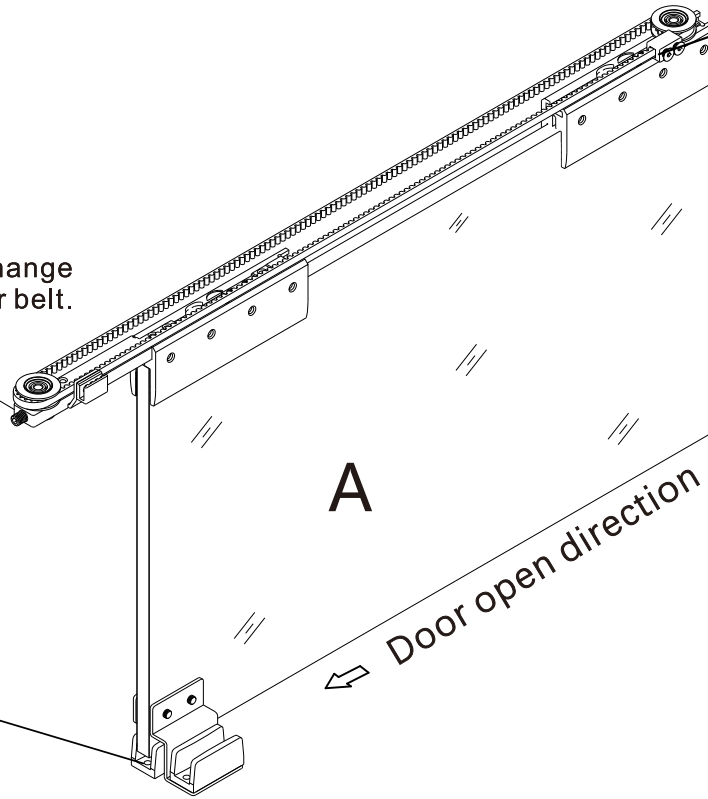
11-1 Right side Linkage

Make sure the length of belt in need, install it with connector F.
Make sure there are two teeth on both side.

Adjust the screws to change the degree of tightness for belt.



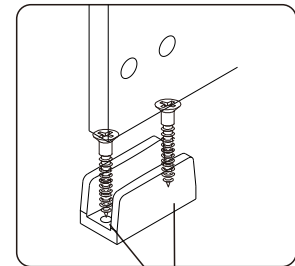
self-tapping screw M4*30 The guide can not be exceed the outer of the door (Closed state)



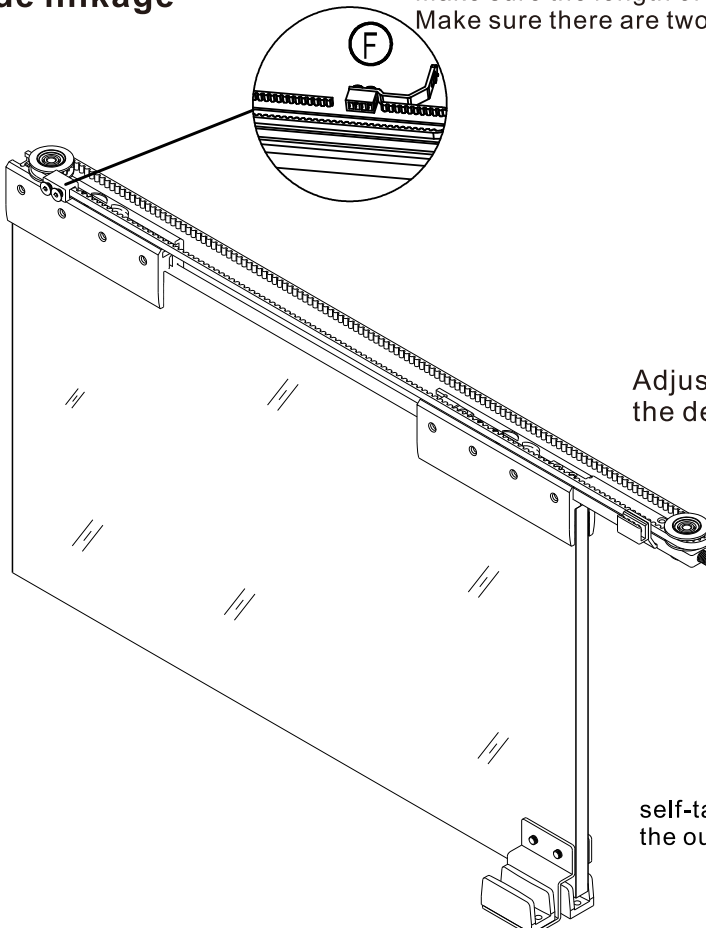
11-2 Left side linkage

Make sure the length of belt in need, install it with connector F.
Make sure there are two teeth on both side.

Adjust the screws to change the degree of tightness for belt.



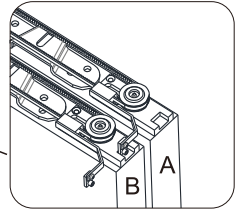
self-tapping screw M4*30 The guide can not be exceed the outer of the door (Closed state)



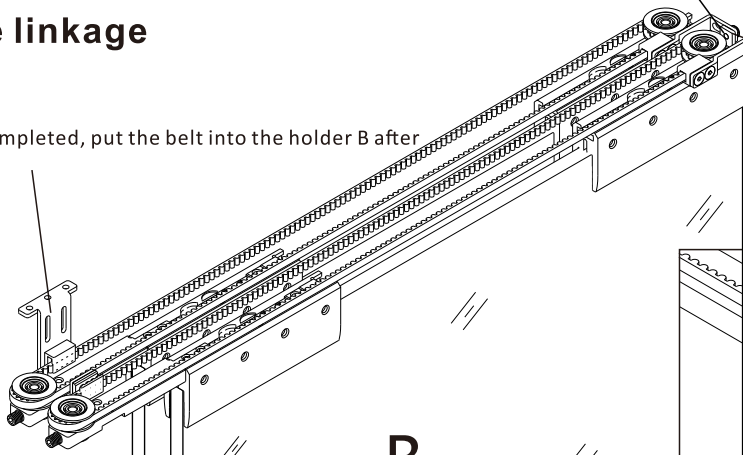
12. Install B door

12-1 Right side linkage

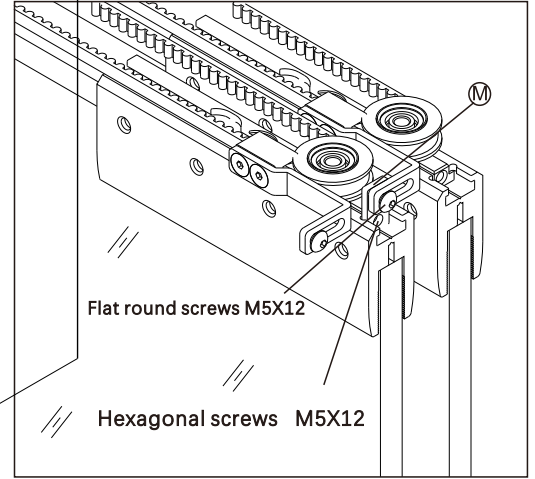
Flush the A door and B door, Fix the belt connector on the B door's clamp.



After the connector F is completed, put the belt into the holder B after the door is in closed state.



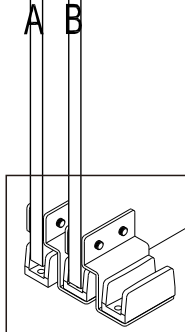
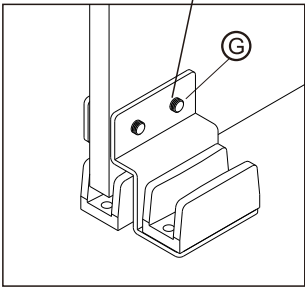
B



Flat round screws M5X12

Hexagonal screws M5X12

Install the guide G on the bottom of B door.



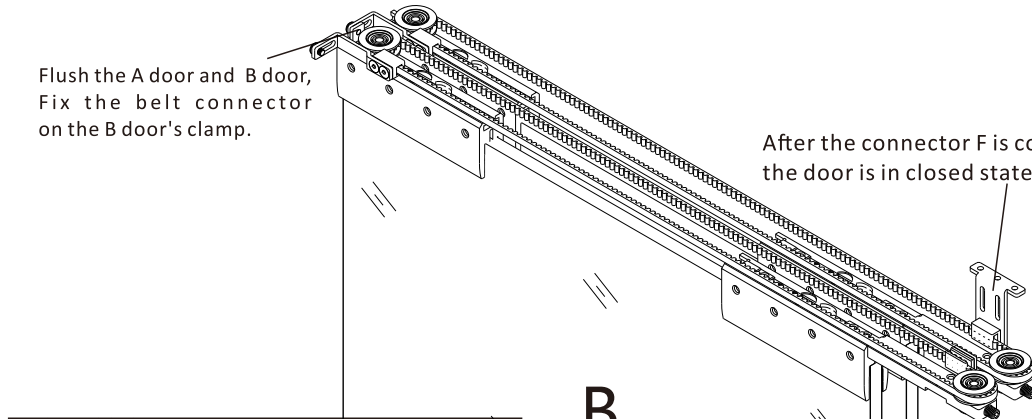
Door open direction

Please put the B door into A's bottom guide, as the picture shown.

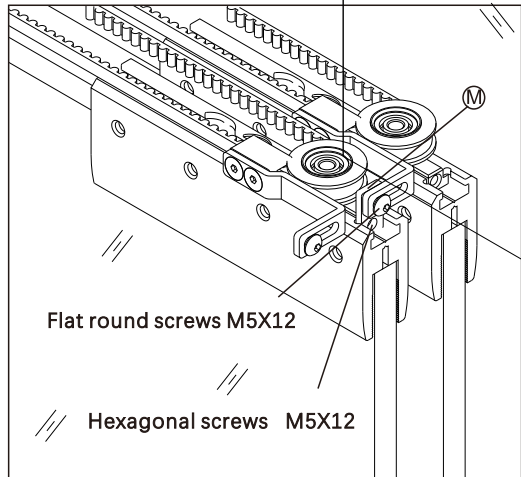
12-2 Left side linkage

Flush the A door and B door, Fix the belt connector on the B door's clamp.

After the connector F is completed, put the belt into the holder B after the door is in closed state.



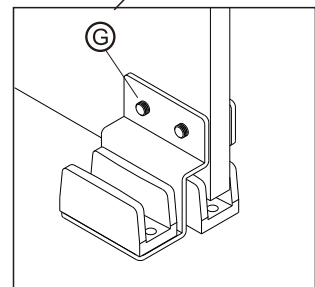
B



Flat round screws M5X12

Hexagonal screws M5X12

Install the guide G on the bottom of B door.



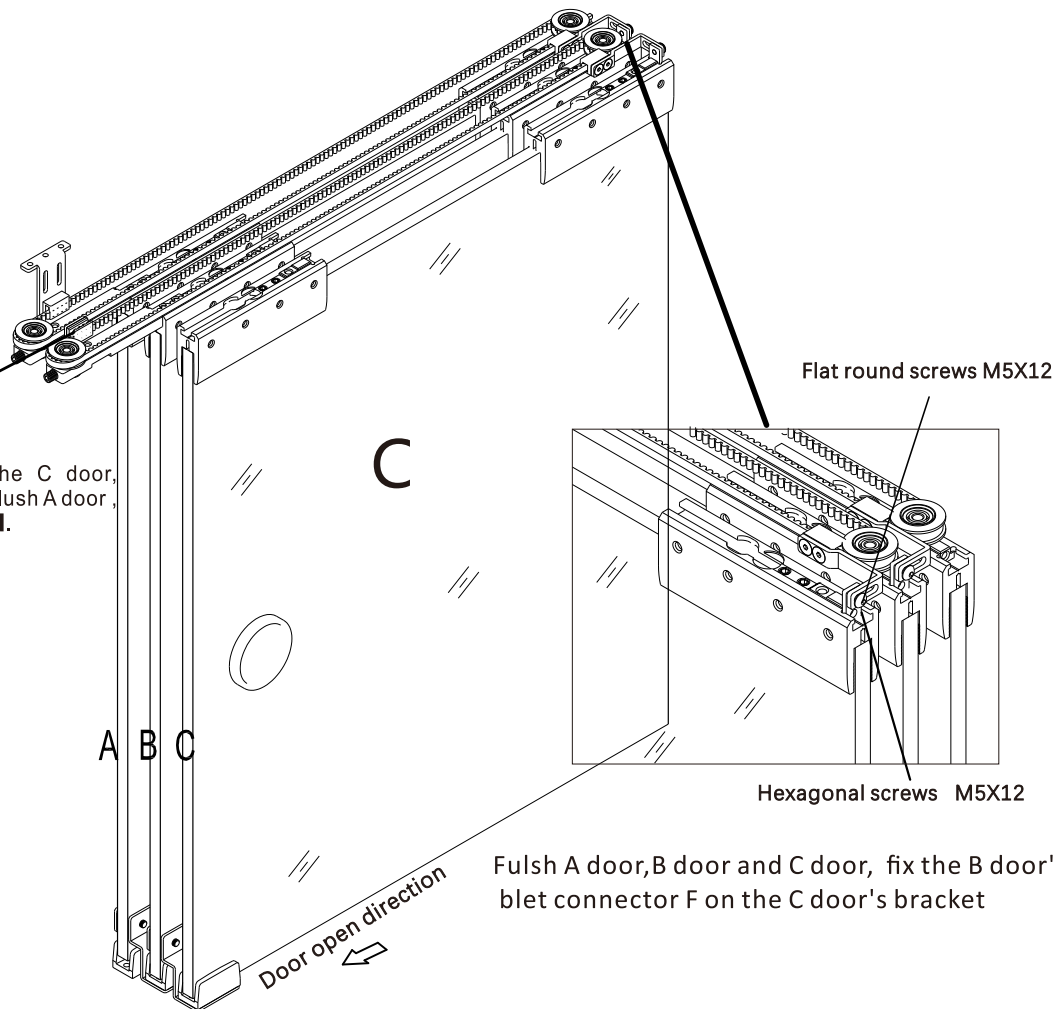
Door open direction

Please put the B door into A's bottom guide, as the picture shown.

13. Install C door

13-1 right side linkage

After fix the belt connector F of B on the C door, Put the B door's belt into A door's holder N. Flush A door, B door and C door, then fixed the belt holder N.

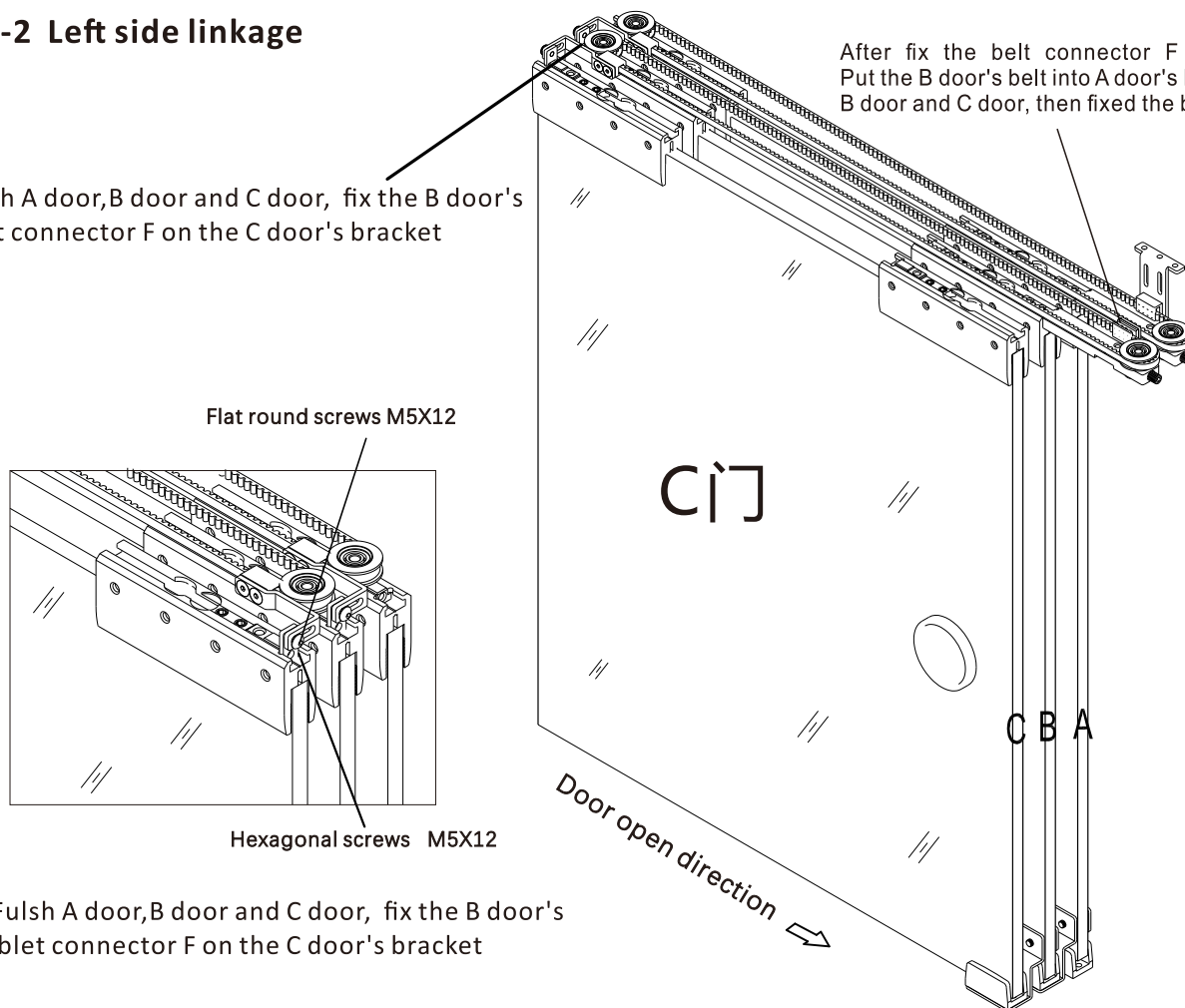


Fulsh A door, B door and C door, fix the B door's blet connector F on the C door's bracket

13-2 Left side linkage

Fulsh A door, B door and C door, fix the B door's blet connector F on the C door's bracket

After fix the belt connector F of B on the C door, Put the B door's belt into A door's holder N. Flush A door, B door and C door, then fixed the belt holder N.



Fulsh A door, B door and C door, fix the B door's blet connector F on the C door's bracket

14. Adjust C door 's trigger ,A door and B door 's stopper

Adjust the K stopper and trigger L according the installation situation.

